

## Installation steps

1. Fasten the U Channel down to the floor or curb where you wish for the NorLock Panel to stand.
2. Using a level, draw a line from the outside edge of the channel up to the ceiling.
3. Step three will differ, depending on the ceiling type. If the ceiling is a strapped ceiling with a form of PVC Panel, you can most likely run the channel across the entire length of where you will be standing the wall. If the ceiling is finished in plywood or poly-coated plywood, you will only be able to lay 20' of the channel at a time. Remember to use a chalk line to keep it straight.
4. Now, you may begin sliding your panels into place. Always start the first piece with the groove entering the channel on the "back" wall. If the ceiling has some give (look back to the first part of step 3), you can hold the panel on an angle and place the bottom tongue corner into the channel. Then slightly twist the panel and place the one side of the top groove corner into the channel. Straighten the panel and stand it completely vertically up.
5. Slide the first panel's groove into the "back" wall channel. (Small pry bars may be needed because the channel fits snug).
6. Put a 3/4" -1 1/2" SS screw into the top and bottom corner, ensuring that the panel will stay in place.
7. Repeat the second half of step four and slide the next panel's groove on the tongue of the first panel.
8. Take a piece of wood (ideally a 4"x4" that is one foot long) and place its side on the edge of the second panel's ledge, right beside the tongue. Using a large hammer, or sledgehammer, tap the wood, starting at the bottom, and working your way to the top until the tongue and groove are completely locked together.
9. When you get to the last two panels, measure the length of the channel needed on the ceiling to complete the wall. Also, measure a piece of channel for the "front wall." Cut your two pieces of channel. Take these pieces of the channel and run them through a table saw, slightly favoring one side. Now you should have "L" shaped pieces, with one "L" piece bigger than the other. Take the "L" piece and fasten it to the ceiling and front wall.
10. Now place your second to the last piece of the panel, place it in the bottom channel, and lock it into the wall. You should now look up at the ceiling and see one side of the panel is not covered with the channel.
11. Measure your last panel (sometimes you may need to run it through the table saw, depending on the length of the wall). Keep in mind that when you measure the last panel, you must take into account that the tongue of the second to the last panel will be covered by the groove of the last panel. **DO NOT RIP THIS PANEL TOO SHORT.**
12. Set your last panel into the bottom channel and snap it into place. Sometimes small pry bars are needed to get the last panel into place.
13. Using 3/4" -1 1/2" SS screws, screw the last two panels to the "L" shaped channel on the ceiling and front wall.
14. Take the smaller "L" shaped piece of channel, cap the last two panels, and screw them into place.

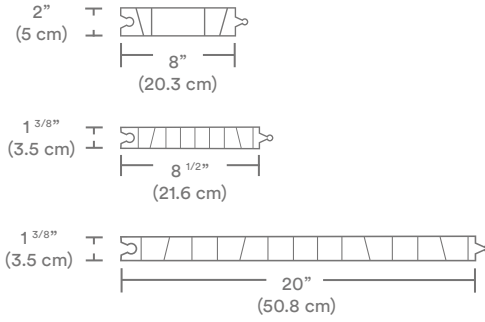
### ADDITIONAL NOTES:

FOR WALLS OVER 14 FEET HIGH, RUN A HORIZONTAL SUPPORT HALFWAY UP THE WALL, SUCH AS A STEEL C- OR H- OR BOX-CHANNEL. CLIMATIZE THE NORLOCK PANELS BEFORE INSTALLATION AS PVC EXPANDS AND CONTRACTS.

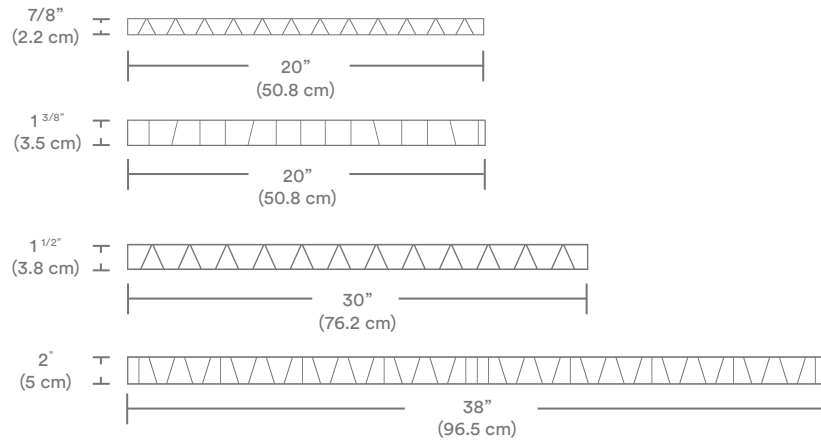
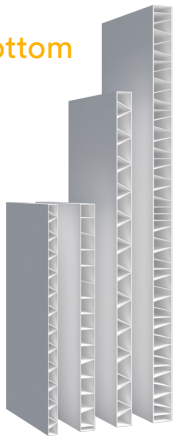
# Technical Specifications

## Plank Dimensions

### Interlocking



### Flat top/bottom



| Panel Type          | Width           | Height           | Available Trims |                   |                |           | Available Accessories |              |          |         |
|---------------------|-----------------|------------------|-----------------|-------------------|----------------|-----------|-----------------------|--------------|----------|---------|
|                     |                 |                  | U Channel       | U Channel 2 piece | Corner Channel | H Channel | Top Cap               | Drop Rod End | Drop Rod | End Cap |
| Interlocking        | 2" (5.0 cm)     | 8" (20.3 cm)     | ✓               |                   |                |           |                       | ✓            | ✓        |         |
|                     | 1 3/8" (3.5 cm) | 8 1/2" (21.6 cm) | ✓               | ✓                 | ✓              |           | ✓                     | ✓            | ✓        |         |
|                     | 1 3/8" (3.5 cm) | 20" (50.8 cm)    | ✓               | ✓                 | ✓              |           | ✓                     | ✓            | ✓        |         |
| Flat Top/<br>Bottom | 7/8" (2.2 cm)   | 20" (50.8 cm)    | ✓               |                   |                | ✓         |                       |              |          | ✓       |
|                     | 1 3/8" (3.5 cm) | 20" (50.8 cm)    | ✓               |                   | ✓              |           |                       | ✓            | ✓        | ✓       |
|                     | 1 1/2" (3.8 cm) | 30" (76.2 cm)    | ✓               |                   | ✓              | ✓         |                       | ✓            | ✓        |         |
|                     | 2" (5.0 cm)     | 38" (96.5 cm)    | ✓               |                   |                |           |                       | ✓            | ✓        |         |

Livestock Applications:  Creep  Nursery  Finish

### Length

NorLock by Trusscore is available in multiple lengths. Contact your retailer for size options.

### Ratings

Flame Spread Classification of 5 as per CAN/ULC S102.2-10/ASTM E84

Meets CFIA(Canada) and FDA & USDA (US) approval requirements for walls and ceilings.